

LRD SERIES RESIDENTIAL LIGHTING

LRD-7W-27K-4WTRPH
LRD-7W-30K-4WTRPH
LRD-7W-35K-4WTRPH
LRD-7W-40K-4WTRPH
LRD-7W-50K-4WTRPH

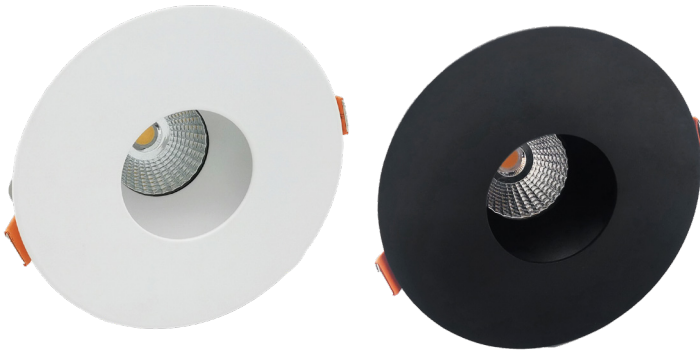
4" LED ARCHITECTURAL WINGED PIN HOLE RECESSED LIGHTS

Customer Name: _____

Project Name: _____

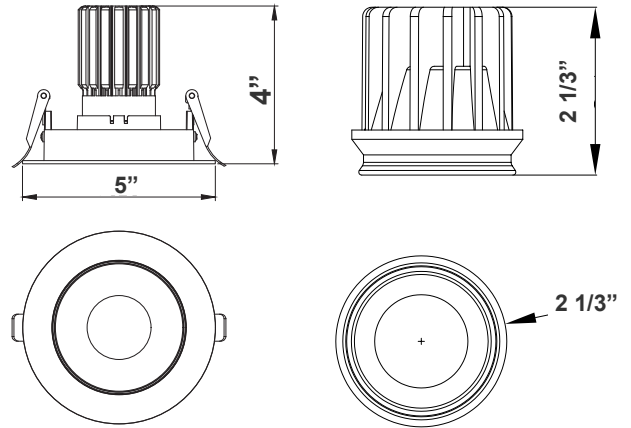
Note: _____

Type: _____



WHITE

BLACK



6 1/3"(H) X 5"(D)

Box Dimensions:

5-1/4" x 1-5/8" x 1-1/8"

Junction Area Dimensions:

2-1/16" x 1-5/8" x 1-1/8"

Ideal for New as well as old residential and commercial constructions.

Features

- 4" LED Pin Hole Recessed Trim
- Die-Cast Aluminum With White Powder Coat Finish
- 5-Year Warranty
- Junction Box Included With Fixture

Technical Specifications

Electrical:

- Voltage: 120VAC
- Wattage: 7W
- Power factor: >0.90
- Efficacy: Up to 70 LM/W

Mechanical:

- Up to 9 AWG18 Wires Die-cast Aluminum With White Powder Coat Finish
- Clear Glass Lens
- Junction Box Rated Up to 9 AWG18 Wires
- Type IC Rated: Approved For Direct Contact With Insulation
- Operating Temperature: 104°F
- Air-Tight and Type IC Rated: No Housing Required
- Damp Location Approved
- 5-Year Warranty

Lighting:

- Dimming: Dimmable down to 10% using standard TRIAC LED dimmer
- Total Lumens: 490LM
- Color Temperature: 2700K/3000K/3500K/4000K/5000K
- Color Rendering index: >90
- Beam Angle: 10°
- Lifespan: 50,000 Hrs.

Applications:

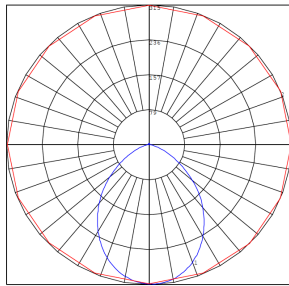
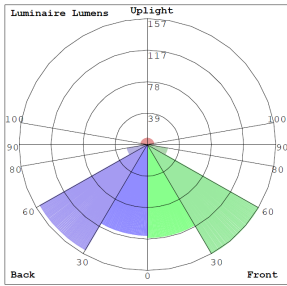
- Ideal for New as well as old residential and commercial constructions.

Other Models:

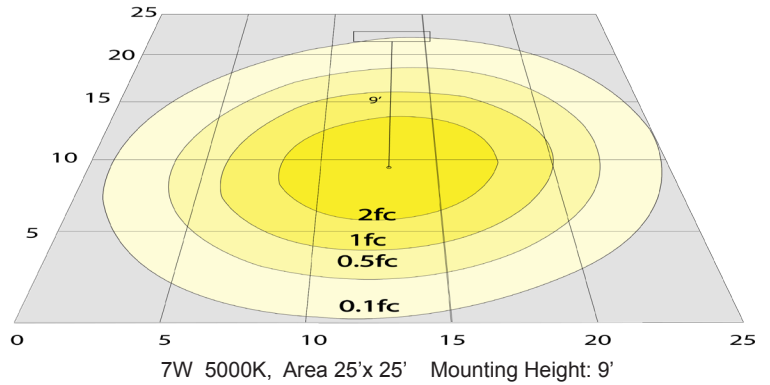
- 10W | 700LM | LRD-10W-27K-4WTRPH-WH/BK
- 10W | 700LM | LRD-10W-30K-4WTRPH-WH/BK
- 10W | 700LM | LRD-10W-35K-4WTRPH-WH/BK
- 10W | 700LM | LRD-10W-40K-4WTRPH-WH/BK
- 10W | 700LM | LRD-10W-50K-4WTRPH-WH/BK



Photometrics: LRD-7W-4WTRPH



BUG Rating: B1-U1-G0



Other Views:



LRD-WTR4PH-WH
 LRD-WTR4PH-WH
 LRD-WTR4PH-WH
 LRD-WTR4PH-WH
 LRD-WTR4PH-WH

LRD-EGN-7W-27K-D
 LRD-EGN-7W-30K-D
 LRD-EGN-7W-35K-D
 LRD-EGN-7W-40K-D
 LRD-EGN-7W-50K-D

LRD-7W-27K-4WTRPH-WH
 LRD-7W-30K-4WTRPH-WH
 LRD-7W-35K-4WTRPH-WH
 LRD-7W-40K-4WTRPH-WH
 LRD-7W-50K-4WTRPH-WH



LRD-WTR4PH-BK
 LRD-WTR4PH-BK
 LRD-WTR4PH-BK
 LRD-WTR4PH-BK
 LRD-WTR4PH-BK

LRD-EGN-7W-27K-D
 LRD-EGN-7W-30K-D
 LRD-EGN-7W-35K-D
 LRD-EGN-7W-40K-D
 LRD-EGN-7W-50K-D

LRD-7W-27K-4WTRPH-BK
 LRD-7W-30K-4WTRPH-BK
 LRD-7W-35K-4WTRPH-BK
 LRD-7W-40K-4WTRPH-BK
 LRD-7W-50K-4WTRPH-BK

Performance Table: LRD-7W-4WTR

MODEL NO.	Wattage	Voltage	Lumens	Color Temp.	BUG Rating	LPW
LRD-7W-27K-4WTRPH	7W	120V	490LM	2700K	B1-U1-G0	70
LRD-7W-30K-4WTRPH				3000K		
LRD-7W-35K-4WTRPH				3500K		
LRD-7W-40K-4WTRPH				4000K		
LRD-7W-50K-4WTRPH				5000K		



Accessory:

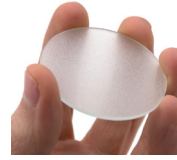
Blank = No Option For Accessories

LRD-FGL = LRD SERIES FROSTED GUASS LENS

RSL4-RI-13 = 4" ROUND ROUGH-IN PLATE, 13" LONG

RSL4-RI = 4" ROUND ROUGH-IN PLATE, 26" LONG

Accessory:



LRD-FGL



RSL4-RI-13
4" Round Rough-in Plate,
13" Long



RSL4-RI
4" Round Rough-in Plate,
26" Long

Sample Ordering

Model	Wattage	Color Temp.	Size	Size
LRD	7W	<input type="text"/>	4WTRPH	<input type="text"/>
		27K = 2700K 30K = 3000K 35K = 3500K 40K = 4000K 50K = 5000K		WH = WHITE BK = BLACK

